



HYDRAULIC ROCK BREAKER

V3500



POWER AND
VERSATILITY
FOR ALL JOBSITES

DESIGNED FOR 35 TO
60 TONNES CARRIERS

MAXIMUM IMPACT FORCE
SINCE THE VERY FIRST BLOW

DEMOLITION, QUARRY,
MINES AND TUNNELS, MASS
EXCAVATION, LANDSCAPING,
RECYCLING... A TOOL WHICH
FITTED FOR ANY SITUATION

BENEFITS

- Hydraulic accumulator: no more regular nitrogen controls and recharges on jobsites.
- Automatic lubrication: cartridge grease pump mounted on breaker, or tank mounted on excavator.
- Made in France: superior quality steel and manufacturing excellence.
- Dynamic energy adjustment: two working positions automatically adjusted by the breaker.
- Blank firing protection: increased wear parts lifespan.

HYDRAULIC ROCK BREAKER

POWER AND VERSATILITY
FOR ALL JOBSITES

WEIGHT & DIMENSIONS

WEIGHT (KG/LB)

| | | |
|-------------------------------|-------|-------|
| BREAKER | 3,055 | 6,735 |
| + MOUNTED TOOL | 3,339 | 7,361 |
| + MOUNTED ADAPTER PLATE (MAX) | 3,852 | 8,492 |

DIMENSIONS (MM)

| | | |
|---|-------|--------|
| A | 2,329 | 91.69 |
| B | 766 | 31.25 |
| C | 660 | 26 |
| D | 525 | 20.66 |
| E | 112 | 4.40 |
| F | 3,095 | 121.85 |
| G | 790 | 31.1 |
| H | 880 | 34.64 |

OPERATING INFORMATION

| | | |
|--------------------------------------|--------------|-------|
| CARRIER WEIGHT RANGE (MIN-MAX, MT) | 35-60 | |
| OIL FLOW (MIN-MAX, L/MIN / GPM) | 250-320 | 66-85 |
| MAXIMUM OPERATING PRESSURE (BAR/PSI) | 185 | 2,683 |
| MAXIMUM BACK PRESSURE (BAR/PSI) | 15 | 218 |
| INPUT POWER (KW) | 98.6 | |
| STRIKING FREQUENCY (MIN-MAX, BPM) | 350-700 | |
| NOISE LEVEL /10M (DBA) | 124 | |
| AUTOMATIC LUBRICATION | standard | |
| SOUNDPROOFING | standard | |
| INSPECTION KIT | standard | |
| PRESSURIZATION | preinstalled | |

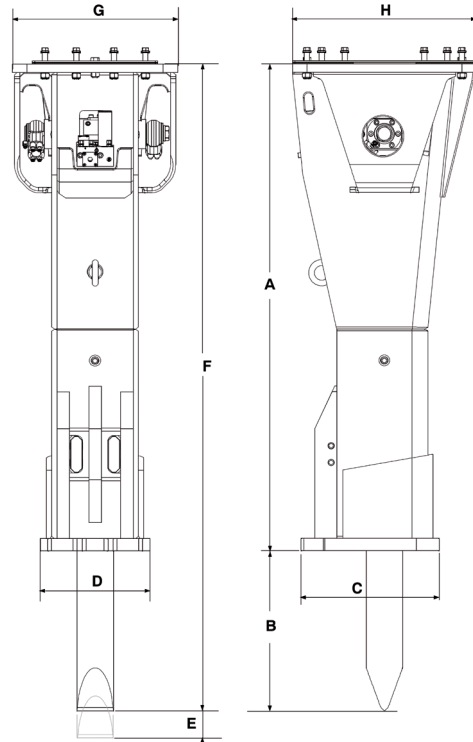
OPTIONS

CPN

| | |
|--------------------|--------------|
| PRESSURIZATION KIT | 86372505 |
| SOFTSTART | 86778800 |
| ADAPTER PLATE | upon request |
| SPECIAL PAINTING | upon request |

TOOLS

| | | | | |
|------------------|-------------|-------------|-------------|-------------|
| DIAMETER (MM/IN) | 174/6.85 | 174/6.85 | 174/6.85 | 174/6.85 |
| LENGTH (MM/IN) | 1,560/61.42 | 1,560/61.42 | 1,560/61.42 | 1,560/61.42 |
| WEIGHT (KG/LB) | 269/594 | 269/594 | 271/597 | 284/626 |
| CPN | 86780251 | 86780277 | 86780236 | 86780269 |



CONSUMABLES

CPN

| | |
|----------------------------|----------|
| GREASE CARTRIDGES (X20) | 86784758 |
| ABL2 GREASE BUCKET (24 KG) | 86772969 |
| ABL1 GREASE BUCKET (24 KG) | 86772977 |

MAINTENANCE KITS

CPN

| | |
|---------|--------------|
| BASIC | upon request |
| LEVEL 1 | upon request |
| LEVEL 2 | upon request |



The content of this brochure constitutes non-binding information and may be changed at any time without notice. Montabert gives, and the brochure contains, no warranties whatsoever, express or implied. All the contents, including but not limited to text, images, graphics are all subject to copyright and all intellectual property protection. Their use or misuse is strictly prohibited. Montabert, KMC or Komatsu trademarks used herein are the property of their respective companies. Nothing contained on this document shall be construed as constituting any commitment by Montabert or as granting any license or right to use any intellectual property. ©2019 Montabert. All rights reserved.

montabert.com

