



HYDRAULIC ROCK BREAKER
V1800



POWER AND
VERSATILITY
FOR ALL JOBSITES

DESIGNED FOR 20 TO
35 TONNES CARRIERS

MAXIMUM IMPACT FORCE
SINCE THE VERY FIRST BLOW

DEMOLITION, QUARRY,
MINES AND TUNNELS, MASS
EXCAVATION, LANDSCAPING,
RECYCLING... A TOOL WHICH
FITTED FOR ANY SITUATION

BENEFITS

- Hydraulic accumulator: no more regular nitrogen controls and recharges on jobsites.
- Automatic lubrication: cartridge grease pump mounted on breaker, or tank mounted on excavator.
- Made in France: superior quality steel and manufacturing excellence.
- Dynamic energy adjustment: two working positions automatically adjusted by the breaker.
- Blank firing protection: increased wear parts lifespan.

HYDRAULIC ROCK BREAKER

POWER AND VERSATILITY
FOR ALL JOBSITES

WEIGHT & DIMENSIONS

WEIGHT (KG/LB)

BREAKER	1,612	3,554
+ MOUNTED TOOL	1,763	3,887
+ MOUNTED ADAPTER PLATE (MAX)	2,139	4,716

DIMENSIONS (MM)

A	1,938	76.2
B	620	24
C	530	21
D	408	16
E	90	3.54

OPERATING INFORMATION

CARRIER WEIGHT RANGE (MIN-MAX, MT)	20-35
OIL FLOW (MIN-MAX, L/MIN / GPM)	140-220 37-58.2
MAXIMUM OPERATING PRESSURE (BAR/PSI)	165 2,393
MAXIMUM BACK PRESSURE (BAR/PSI)	30 435
INPUT POWER (KW)	60.5
STRIKING FREQUENCY (MIN-MAX, BPM)	320-720
NOISE LEVEL /10M (DBA)	90
AUTOMATIC LUBRICATION	standard
SOUNDPROOFING	standard
INSPECTION KIT	standard
PRESSURIZATION	preinstalled

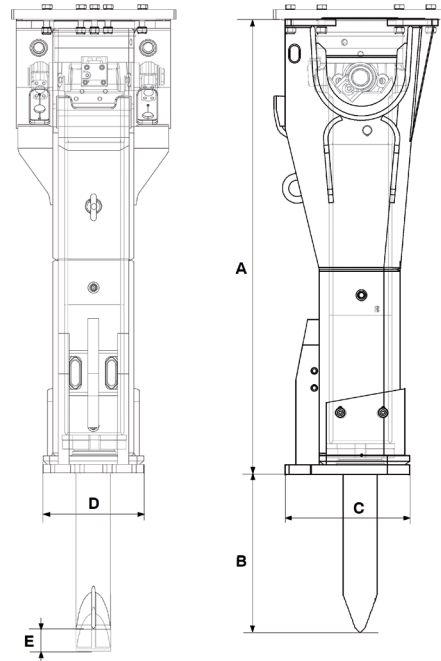
OPTIONS

CPN

PRESSURIZATION KIT	86372505
SOFTSTART	86778784
ADAPTER PLATE	upon request
SPECIAL PAINTING	upon request

TOOLS

DIAMETER (MM/IN)	140/5.5	140/5.5	140/5.5
LENGTH (MM/IN)	1,300/51	1,300/51	1,300/51
WEIGHT (KG/LB)	144/317	146/322	151/333
CPN	86657939	86657921	86671641



CONSUMABLES

CPN

GREASE CARTRIDGES (X20)	86784758
ABL2 GREASE BUCKET (24 KG)	86772969
ABLF GREASE BUCKET (24 KG)	86772977

MAINTENANCE KITS

CPN

BASIC	86785243
LEVEL 1	86785250
LEVEL 2	86785268



The content of this brochure constitutes non-binding information and may be changed at any time without notice. Montabert gives, and the brochure contains, no warranties whatsoever, express or implied. All the contents, including but not limited to text, images, graphics are all subject to copyright and all intellectual property protection. Their use or misuse is strictly prohibited. Montabert, KMC or Komatsu trademarks used herein are the property of their respective companies. Nothing contained on this document shall be construed as constituting any commitment by Montabert or as granting any license or right to use any intellectual property. ©2019 Montabert. All rights reserved.

montabert.com

